

© 1970 BY AMP INCORPORATED. ALL RIGHTS RESERVED. AMP PRODUCTS COVERED BY PATENTS AND/OR PATENTS PENDING.

204933-2

1. SAME AS -1 EXCEPT:
2. PLATED GOLD PER MIL-G-45204 OVER NICKEL PER QQ-N-290

204938-3

1. AS SHOWN
2. MOUNTED ON MYLAR TAPE

204938-4

1. SAME AS -3 EXCEPT
2. MOUNTED ON MYLAR TAPE

~~204938-5~~

1. SAME AS -3 EXCEPT:
2. GRAPHITE COATED.
3. NO COLOR BANDS.

~~204938-6~~

1. SAME AS -3 EXCEPT:
2. COLOR CODE TO BE SINGLE GREEN BAND.

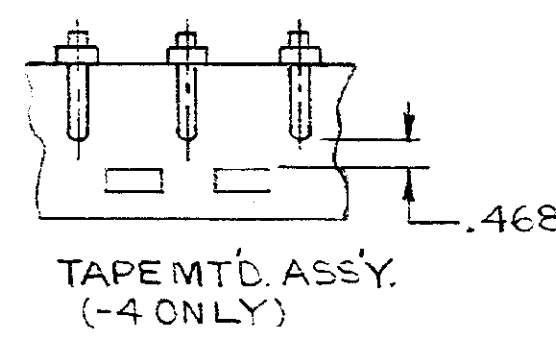
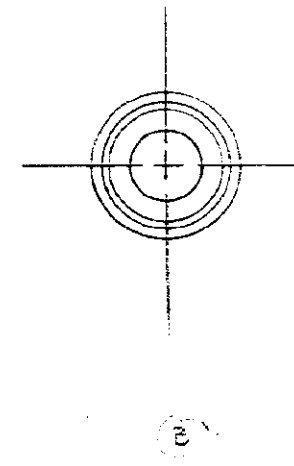
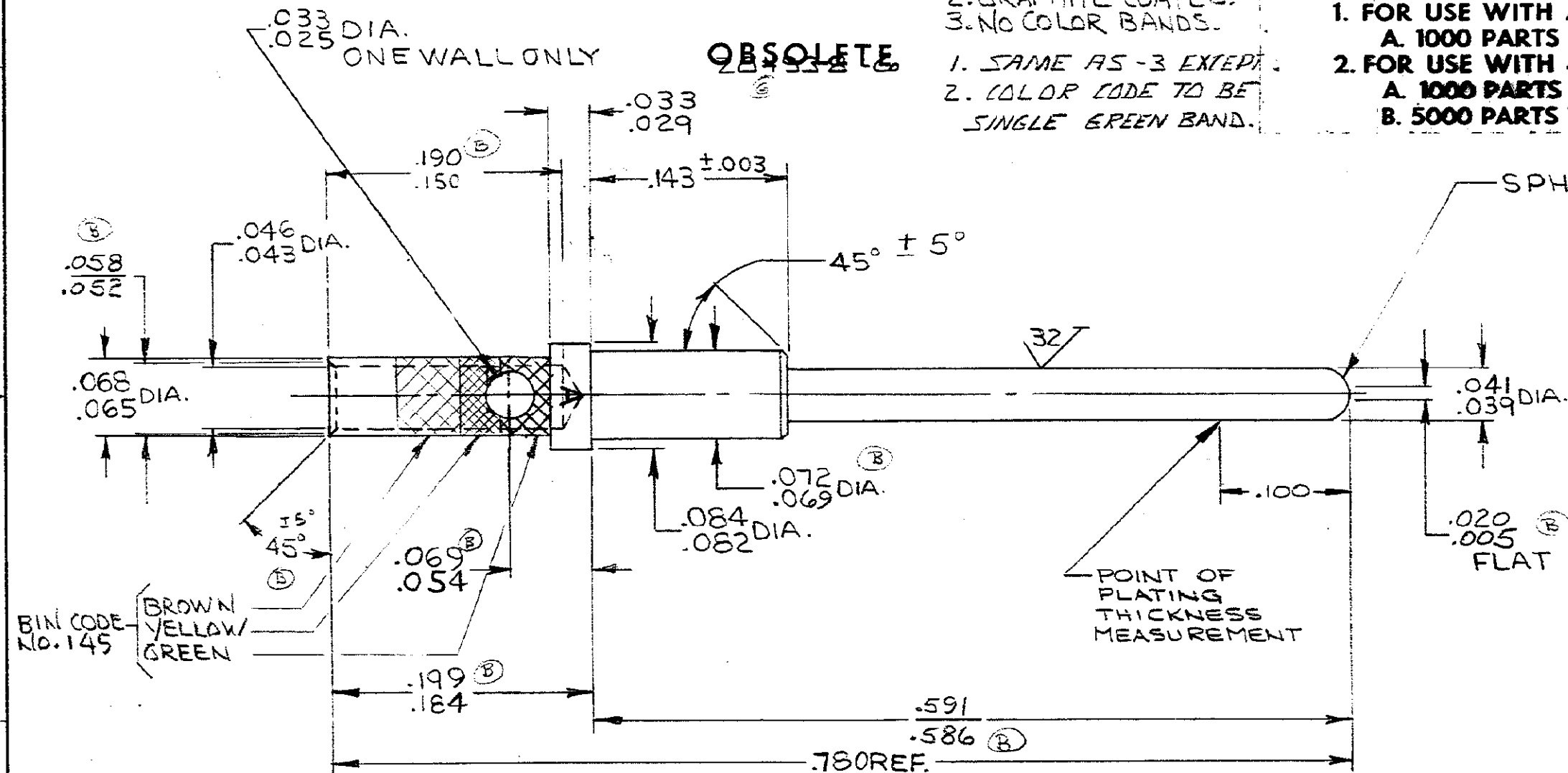
REVISIONS

ZONE	LTR	DESCRIPTION	DATE	APPROVED
	E	REV PER EON F-343	5/17/78	JA/AM
	F	REV./EON G341	8-15-79	SM
	G	ADDED - 3 ECH G-737	2-2-80	AHTII
	H	REVISED PER EON J-782	2/2/82	TLH OFS
	J	OBSOLETE - 5 8-6 PER EON R-2556	12-23-86	MPH ECH

WHEN ORDERING CONTACT ON TAPE, ORDER BY THE TAPE NUMBER PLUS THE PACKAGING CODE AS FOLLOWS:

1. FOR USE WITH AMP TAPETRONIC, PNEUMATIC TOOL -
  - A. 1000 PARTS TO A BOX ADD PACKAGING CODE: 1MBOX
2. FOR USE WITH 4/8 INDENT STRIPPER CRIMPER -
  - A. 1000 PARTS TO A REEL ADD PACKAGING CODE: 1AREEL
  - B. 5000 PARTS TO A REEL ADD PACKAGING CODE: 5MREEL

D  
S  
C  
B  
A  
R



UNLESS OTHERWISE SPECIFIED DIMENSIONS ARE IN INCHES TOLERANCES ON: DECIMALS ± .005 ANGLES ± 2°	CONTRACT NO.	AMP INCORPORATED HARRISBURG, PENNSYLVANIA		
	DR. <i>L. Morningstar</i> 7-20-70	NAME		
	CHK. <i>Paul Schmitt</i> 9-24-70	SUB 20 CONTACT PIN TYPE XVII - RM		
	APPD. <i>David F. Ruddle</i> 9-24-70	SIZE	CODE IDENT NO.	NUMBER
	DSGN APPD. <i>De. Rinsley</i> 9-24-70	B	00779	204938
	OTHER APPD.	SCALE	10-1	SHEET 1 OF 1